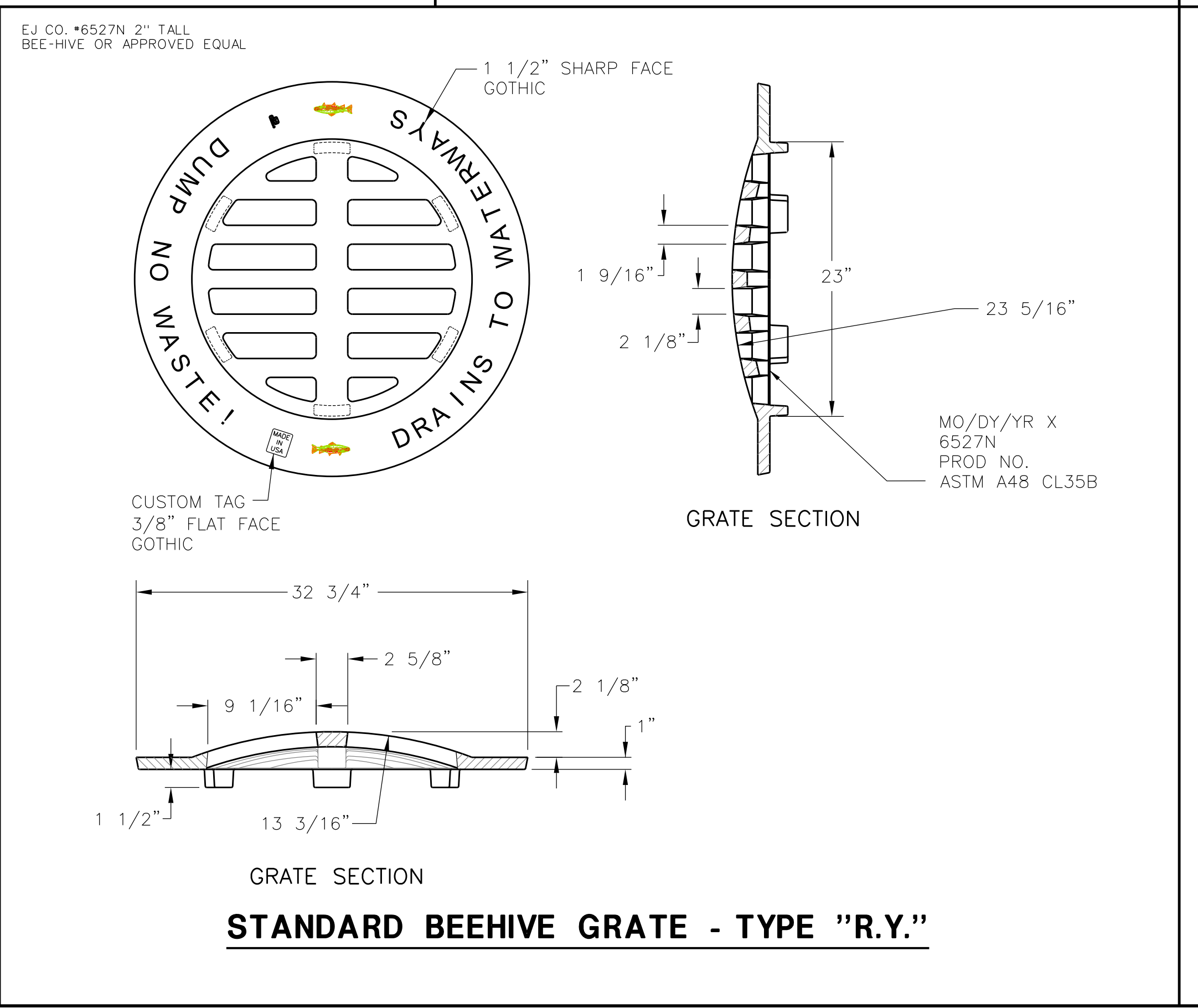
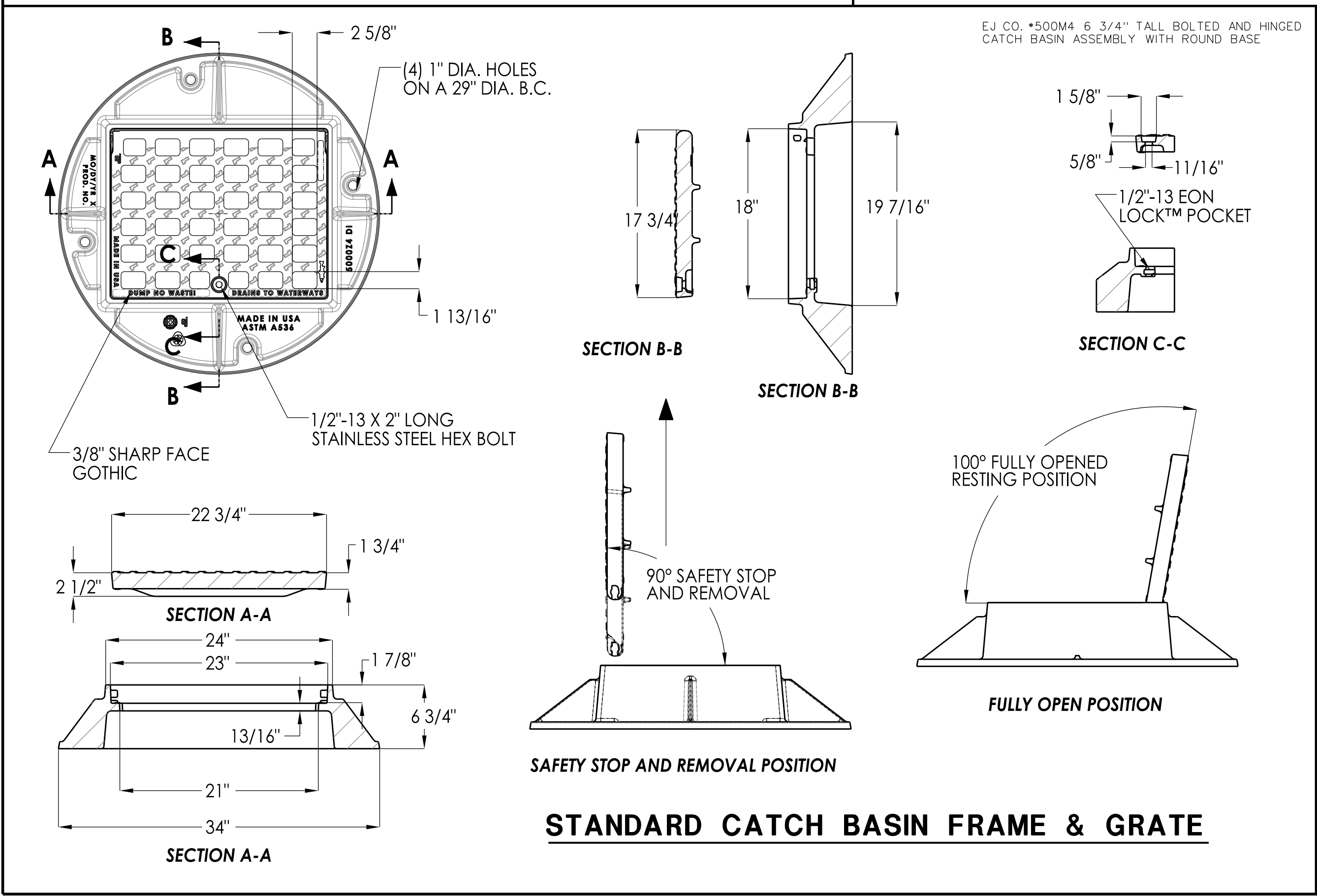
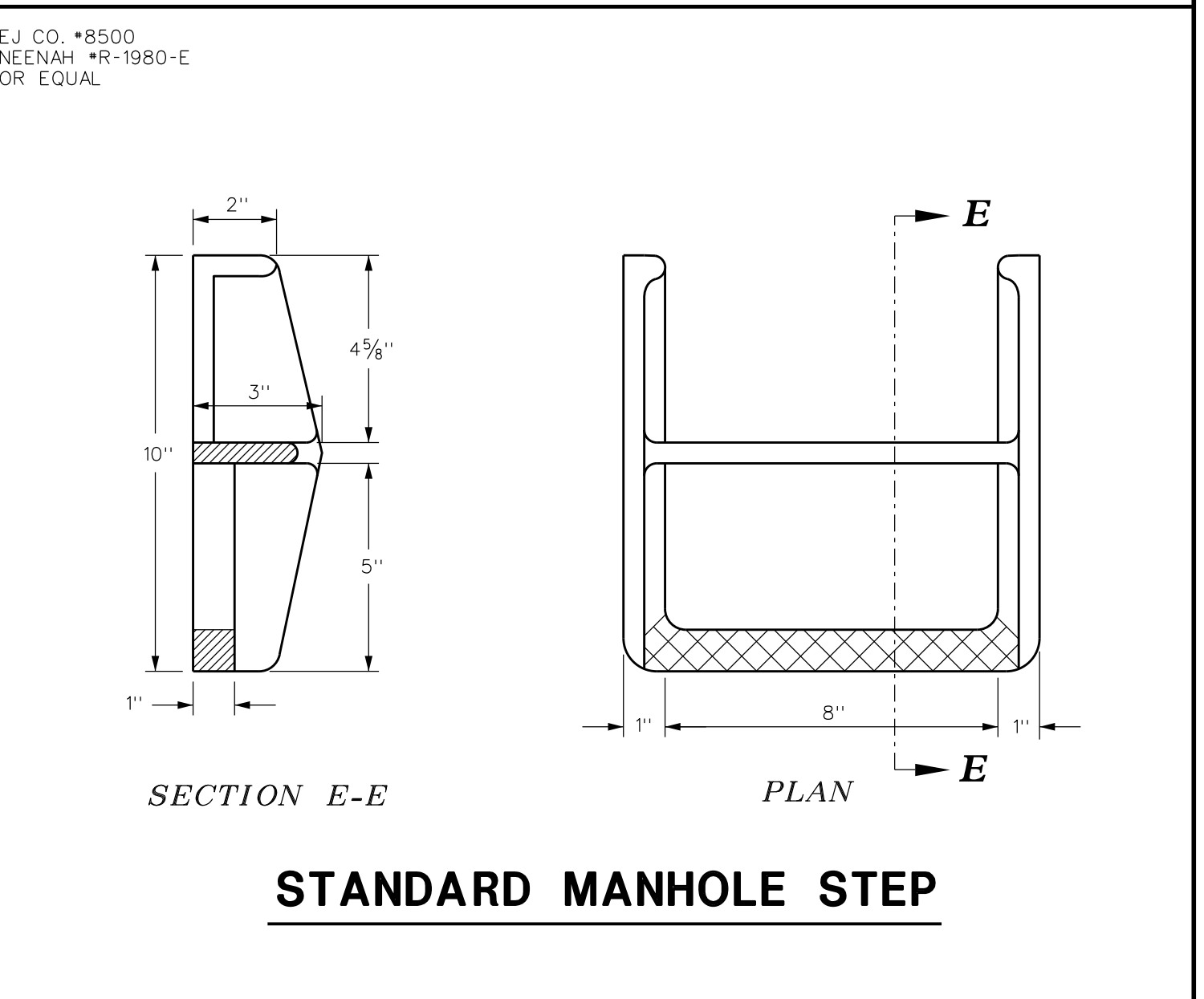
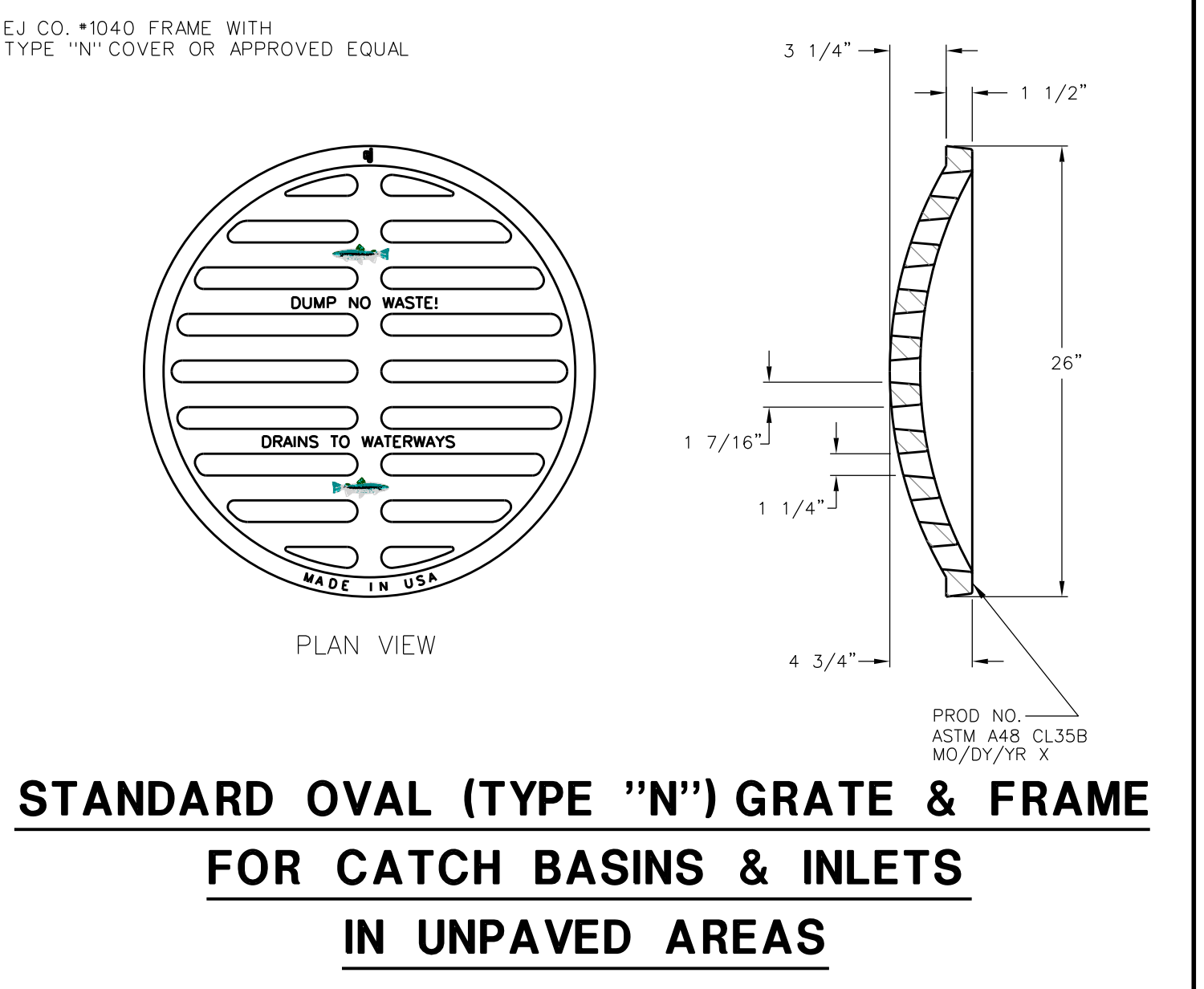
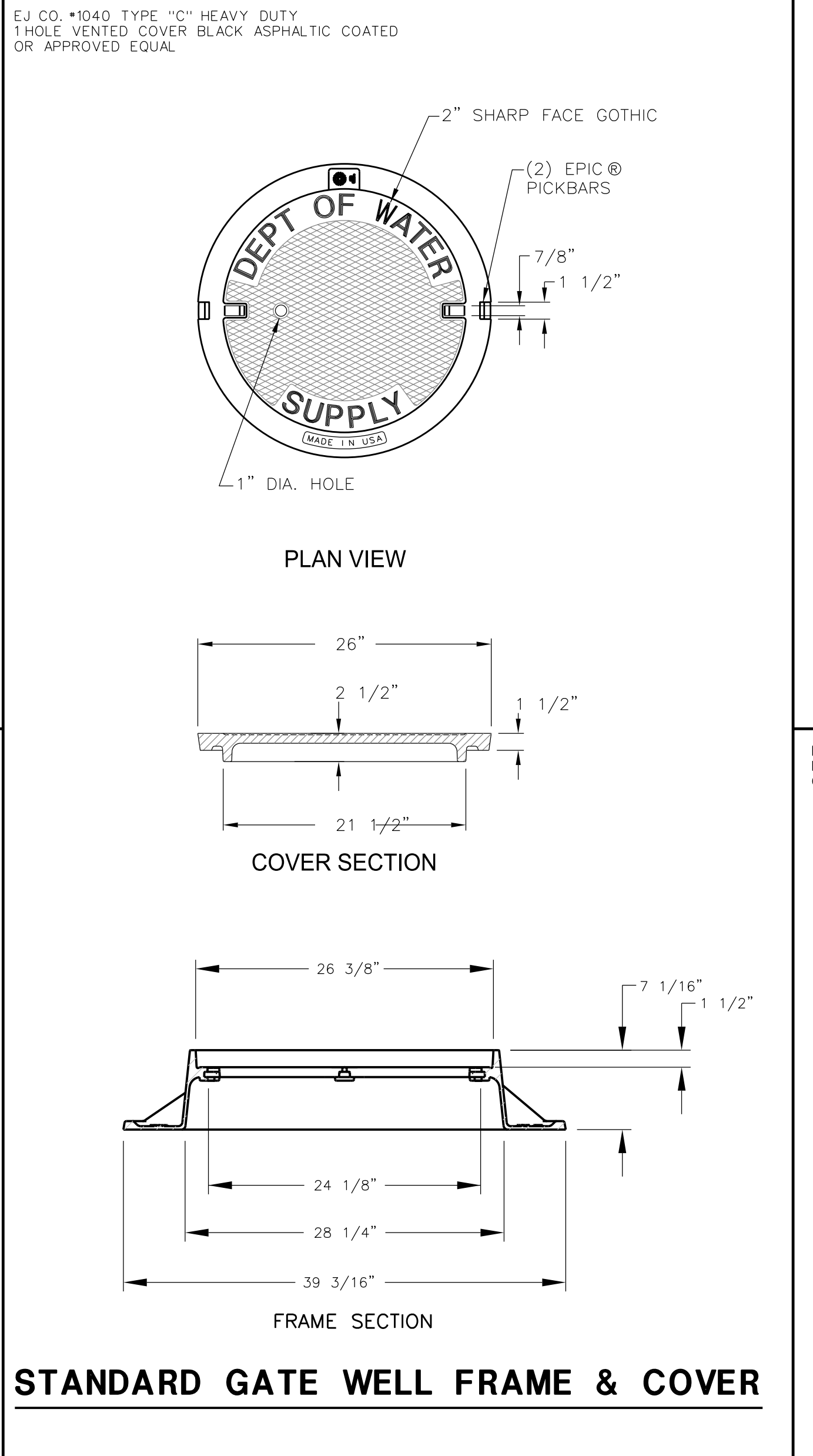
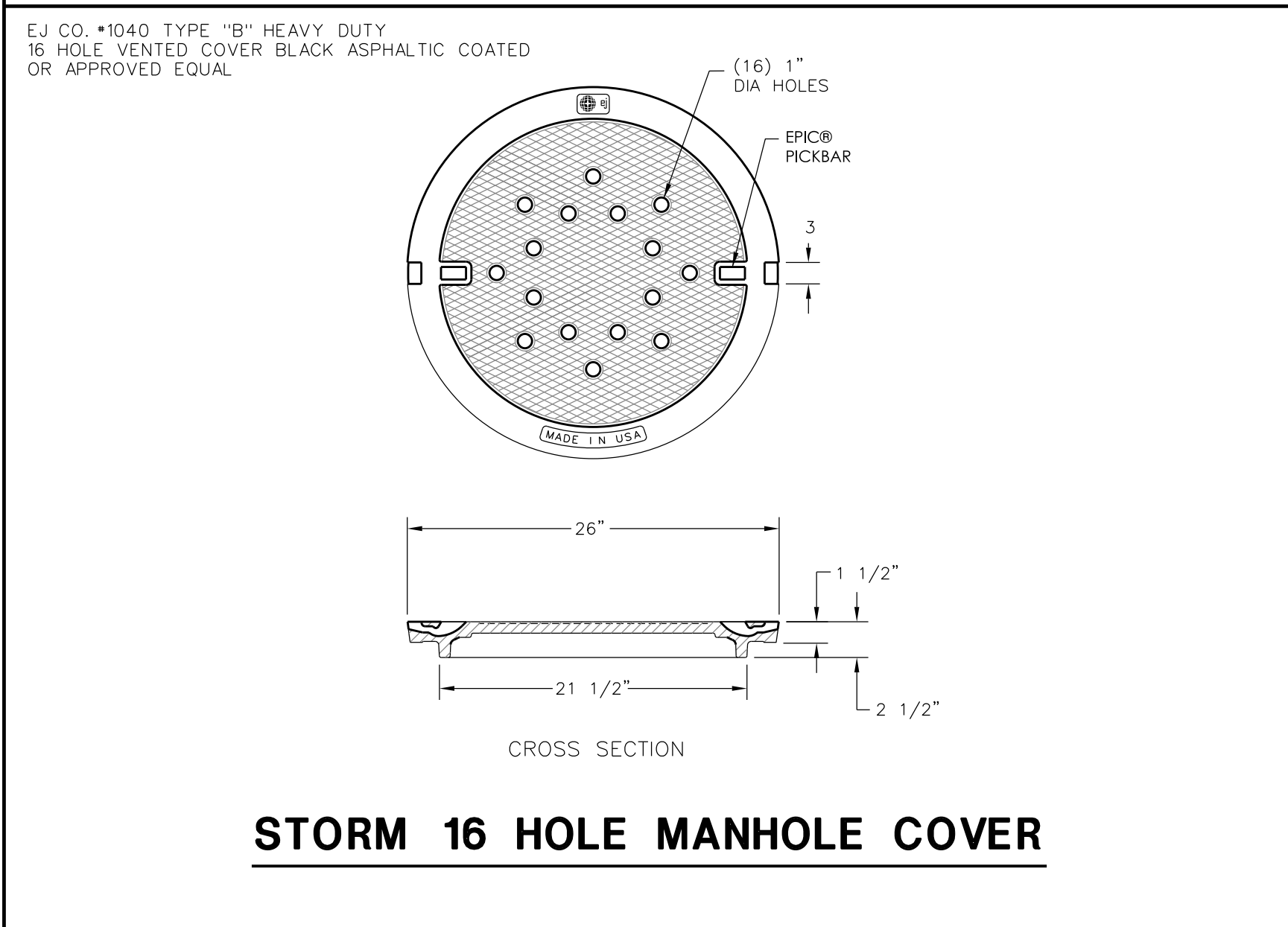
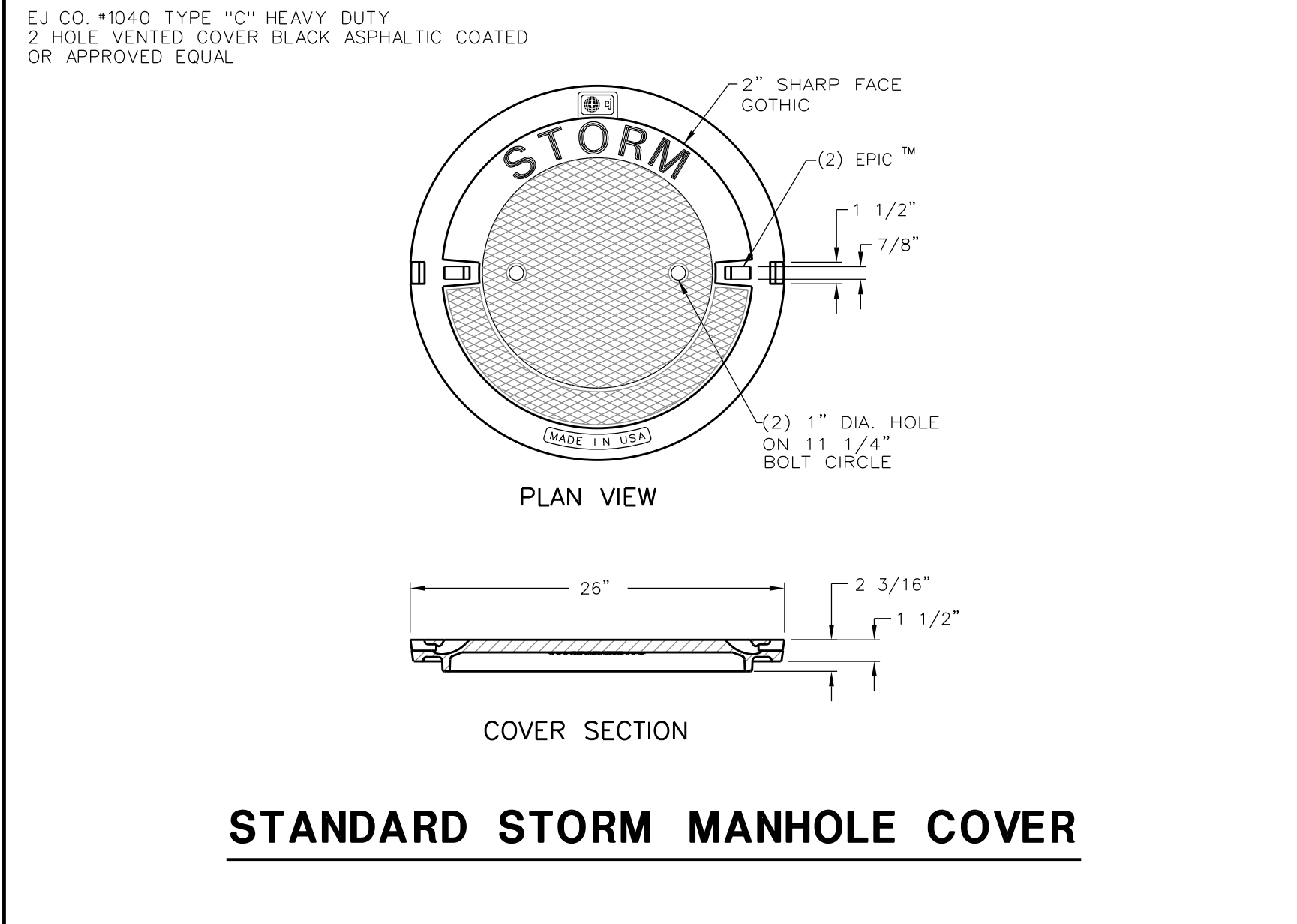
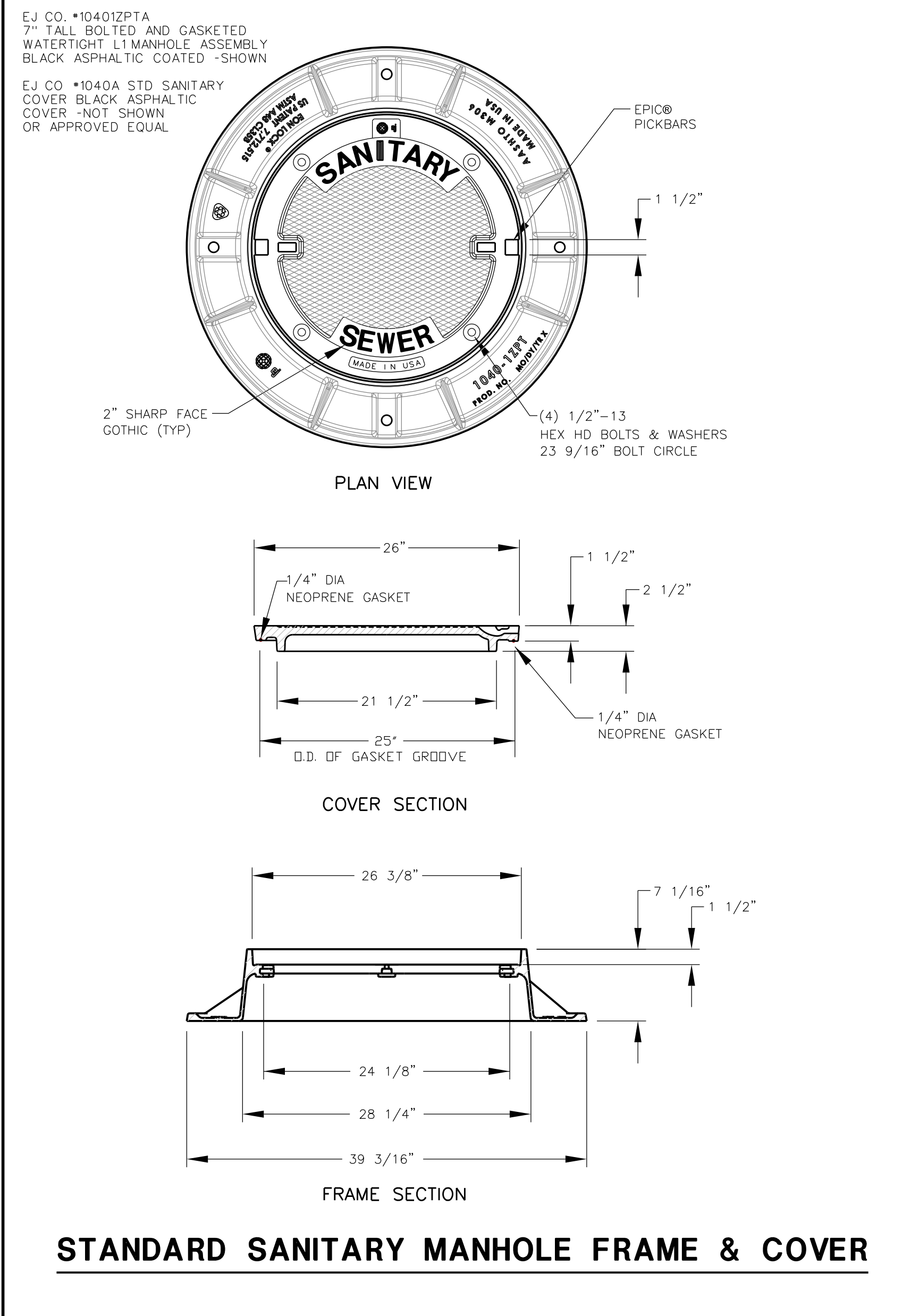


7:54:11 AM
4/9/2021
h:\drawings\standards\DS-3.DGN
Current User: regents



GENERAL NOTES - CASTINGS:

- ALL CASTINGS SHALL MEET THE REQUIREMENTS OF THE A.S.T.M. DESIGNATION: A-48 AND SHALL HAVE STRENGTH AS PROVIDED FOR CLASS NO. 30 GREY IRON CASTINGS.
- ALL CASTINGS SHALL BE CLEANED BY SANDBLASTING.
- THE SEATING FACE OF THE LID OF MANHOLE COVERS & CATCH BASIN GRATES, AND THE SEATS ON THEIR RESPECTIVE FRAMES SHALL BE MACHINE FINISHED OR EQUIVALENT, SO THE LID OR GRATE SHALL SIT EVEN ON ITS SEAT AT ALL POINTS WITHOUT ROCKING OR TILTING.

4/2021	R.M.A.	UPDATED DETAILS FROM EJ
12/11	R.M.A.	UPDATED COMPANY NAME 'EAST JORDAN'
12/06	R.M.A.	UPDATED (T.S.S.)
4/99	D.D.Z.	REDRAWN (R.T.D.)
DATE	BY	CHANGE

DIVISION OF ENGINEERING
CITY OF WARREN, MICHIGAN

CASTING DETAILS