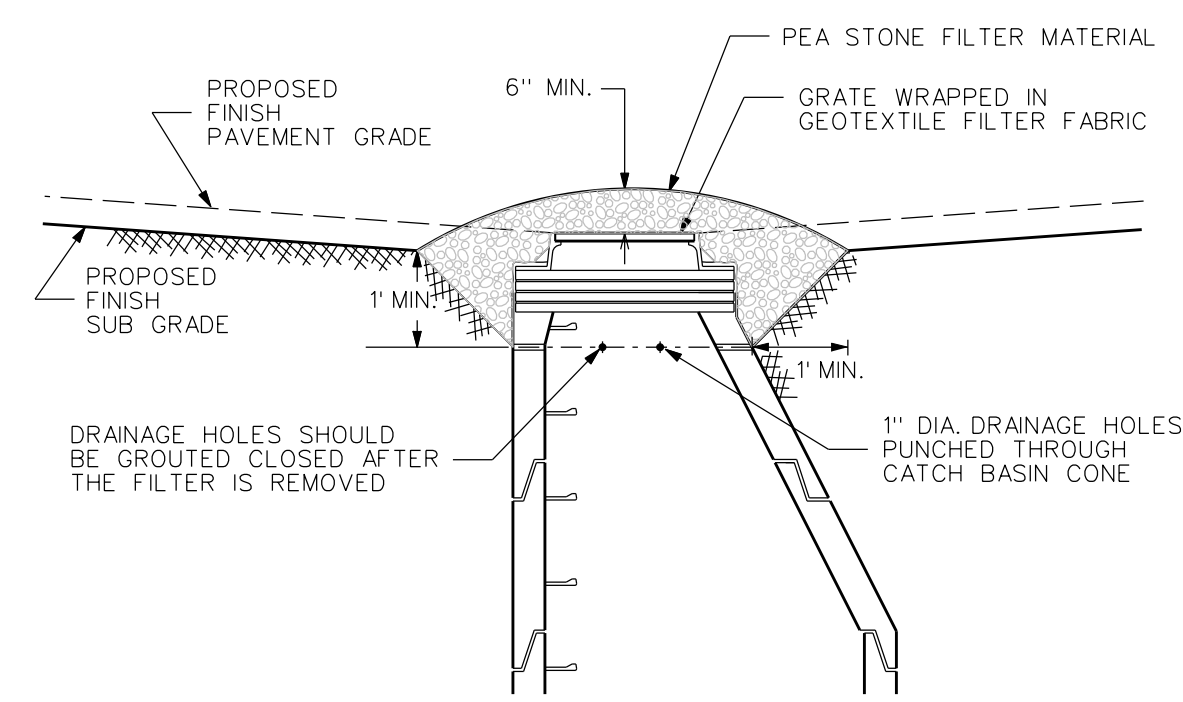
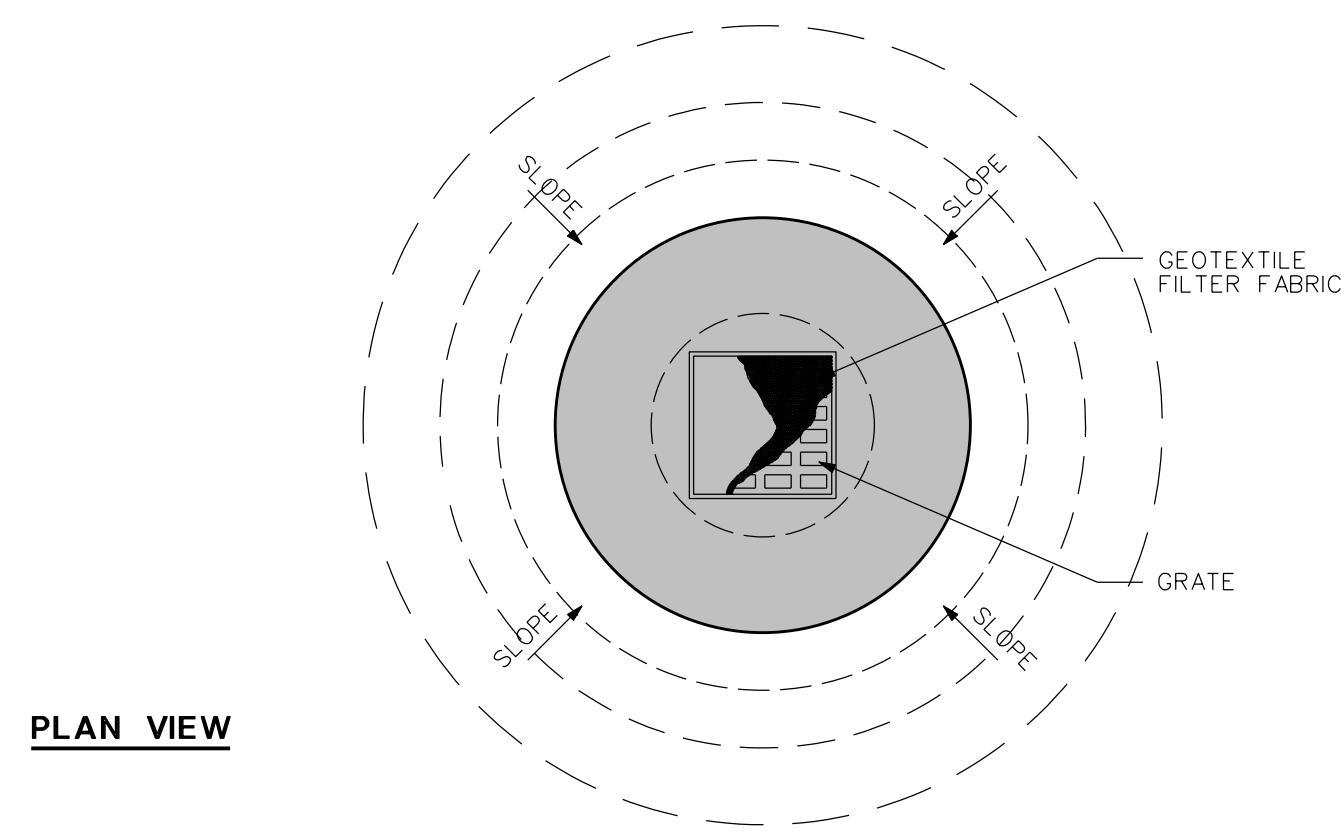


CASE 1

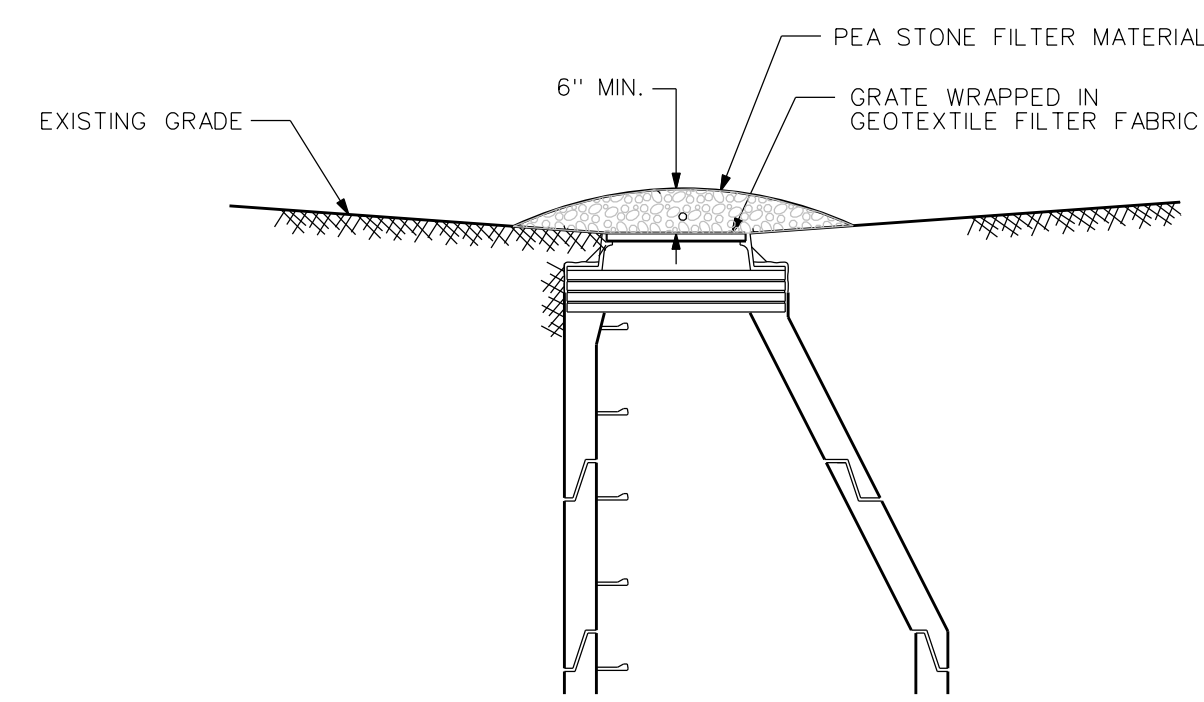
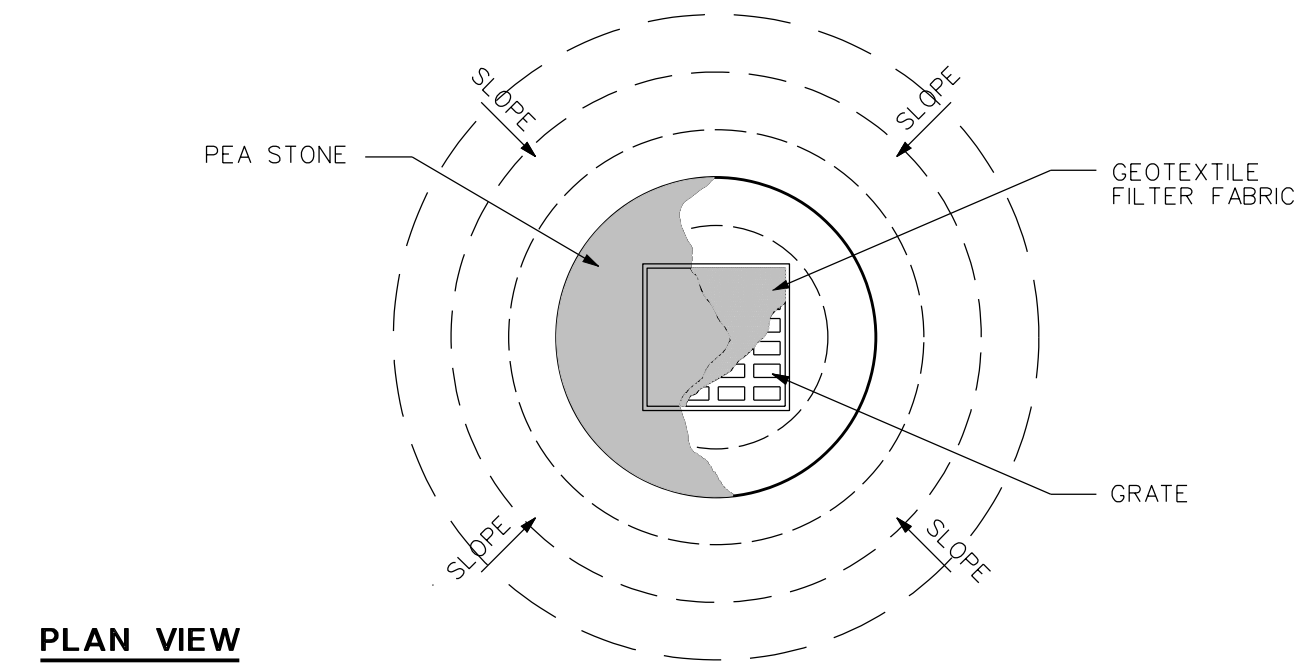
**PARKING LOT INLET FILTER
(BEFORE PAVING)**



SCALE: N.T.S.

CASE 2

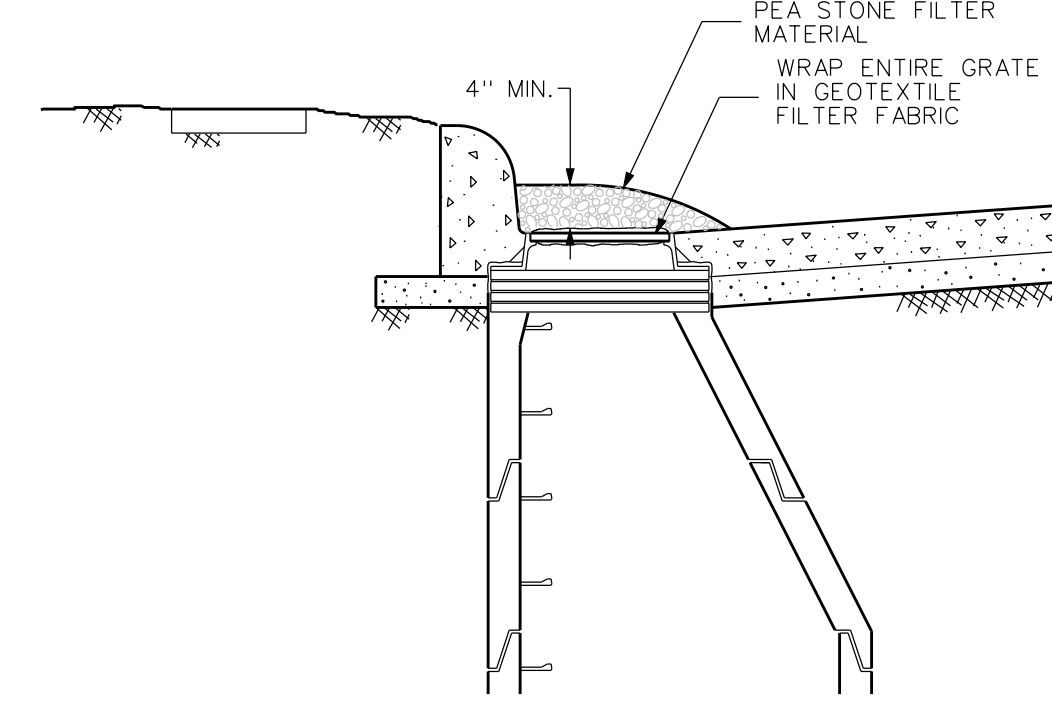
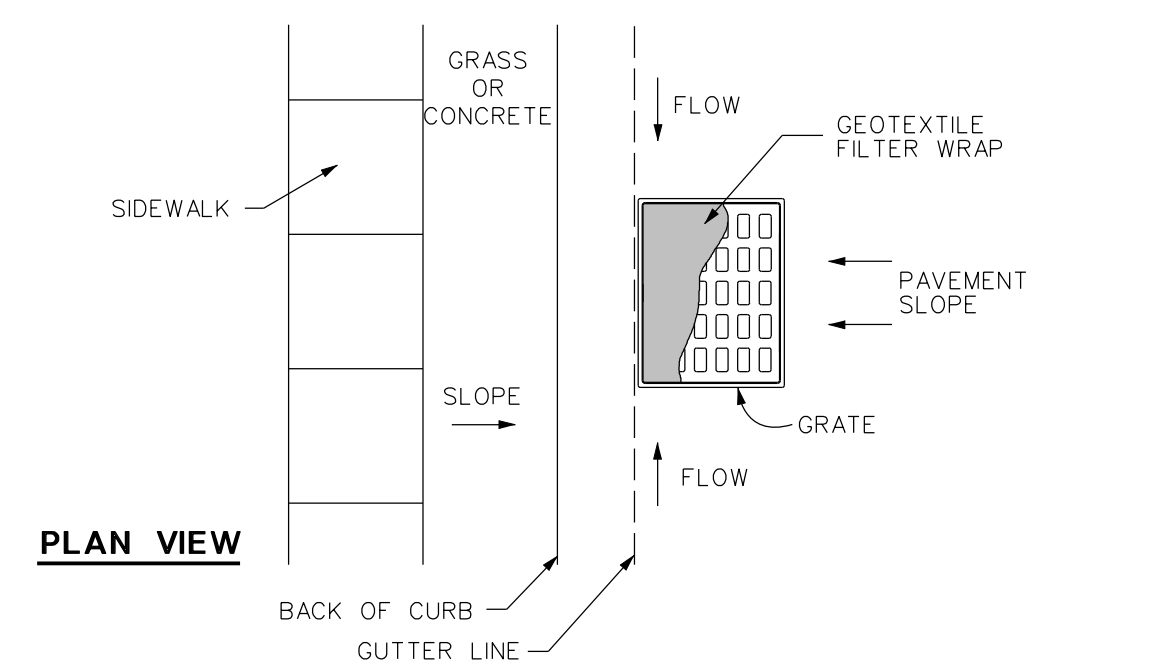
**NON-PAVED AREA
LOW POINT INLET FILTER
(CONSTRUCTION IN AREA)**



SCALE: N.T.S.

CASE 3

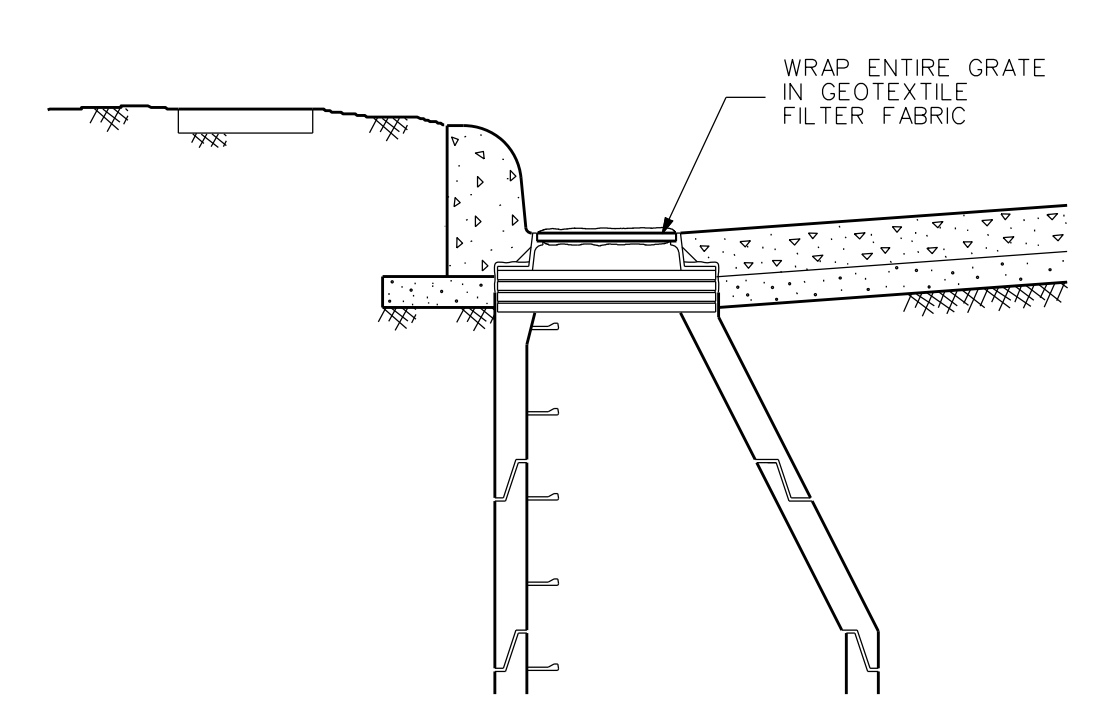
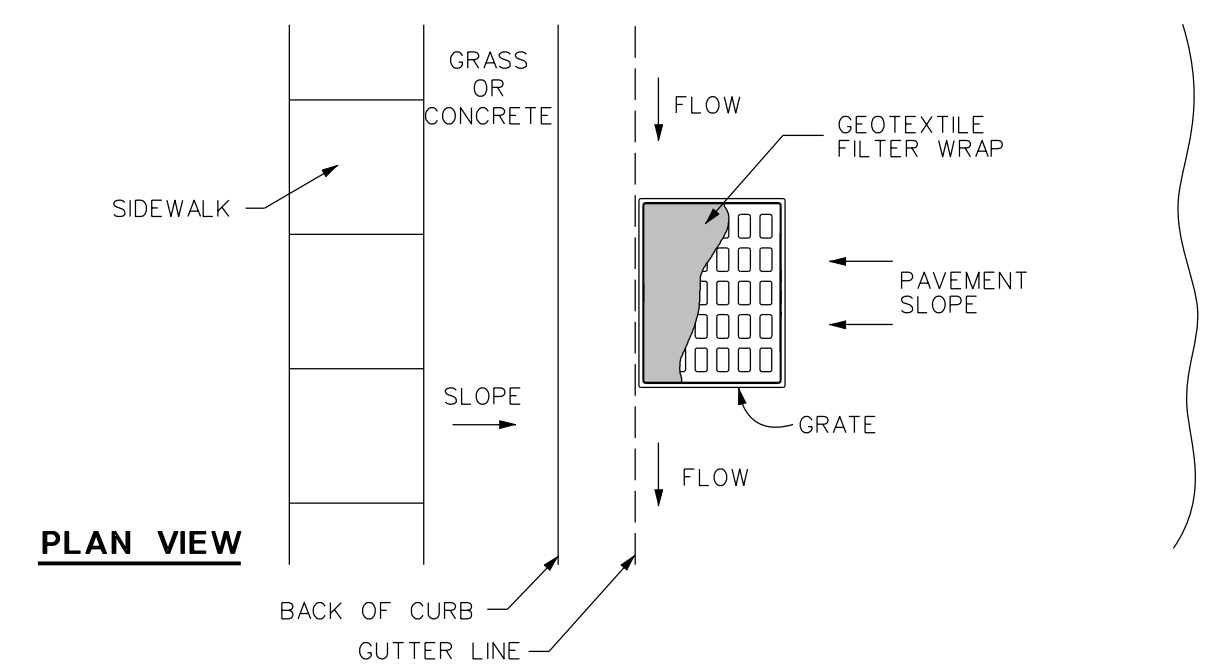
**CURB AND GUTTER LOW POINT FILTER
(CONSTRUCTION IN AREA)**



SCALE: N.T.S.

CASE 4

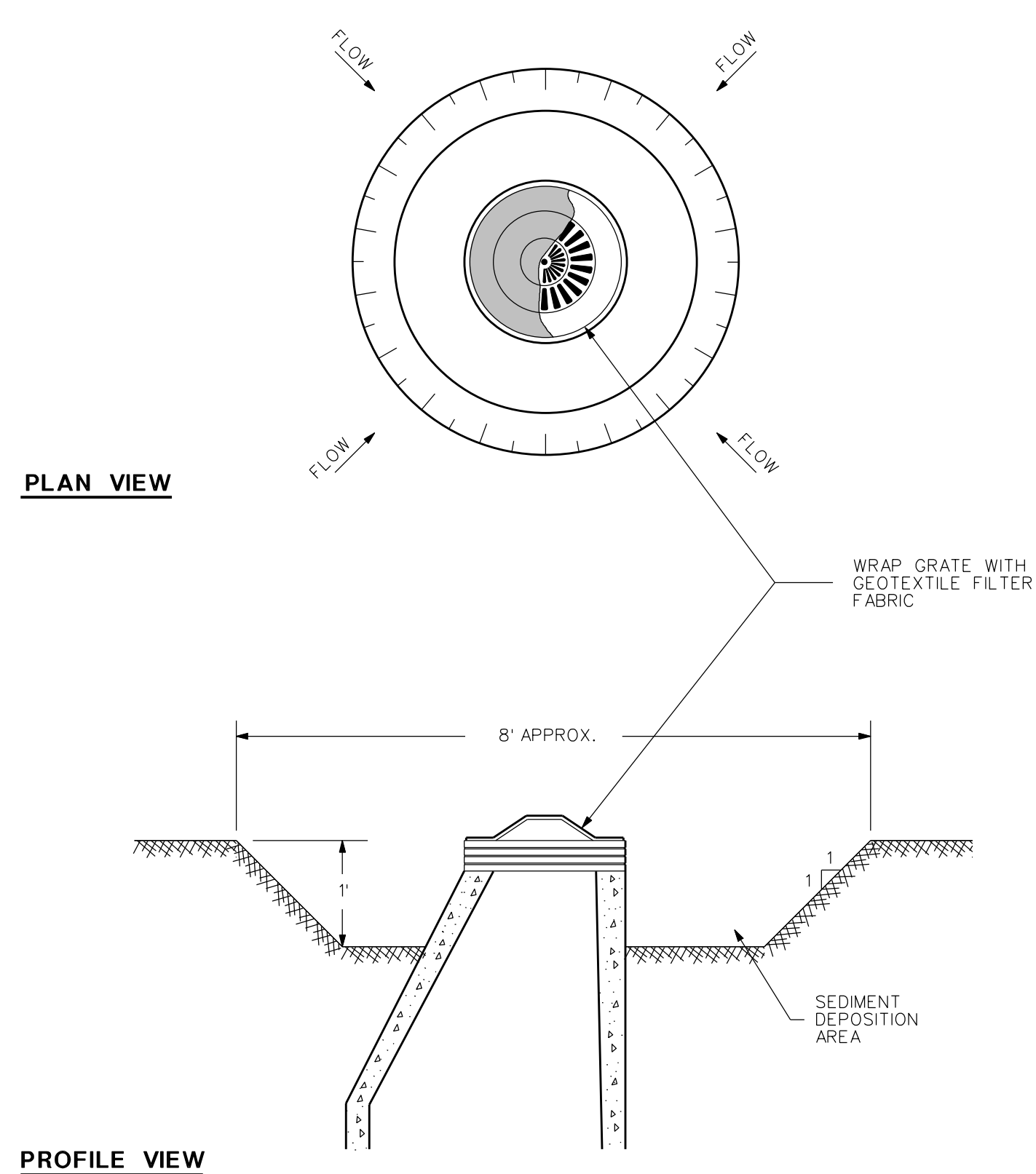
**CURB AND GUTTER RELIEF POINT FILTER
(CONSTRUCTION IN AREA)**



SCALE: N.T.S.

CASE 5

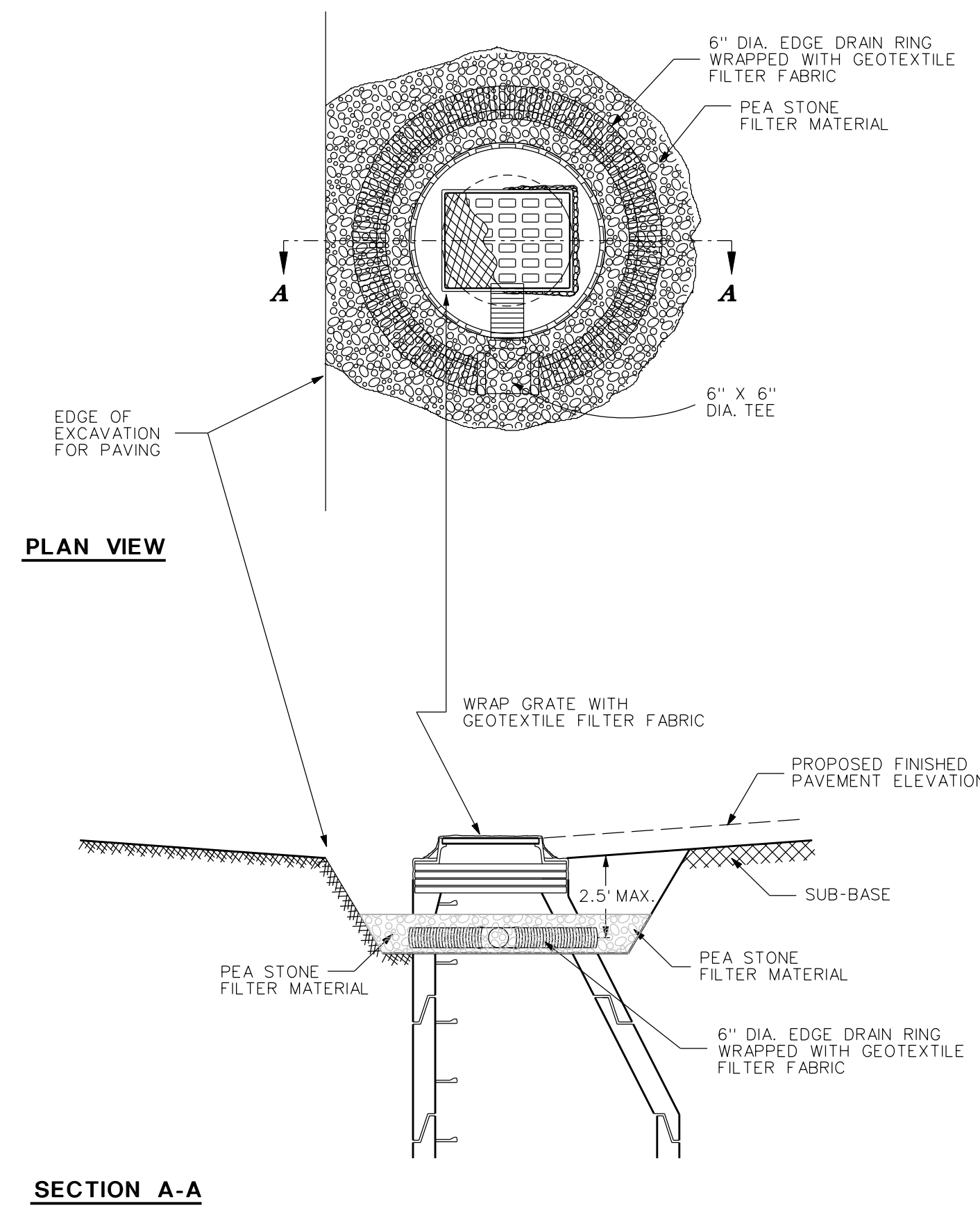
**NON-PAVED AREA
INLET SEDIMENT PIT
(NEW CONSTRUCTION)**



SCALE: N.T.S.

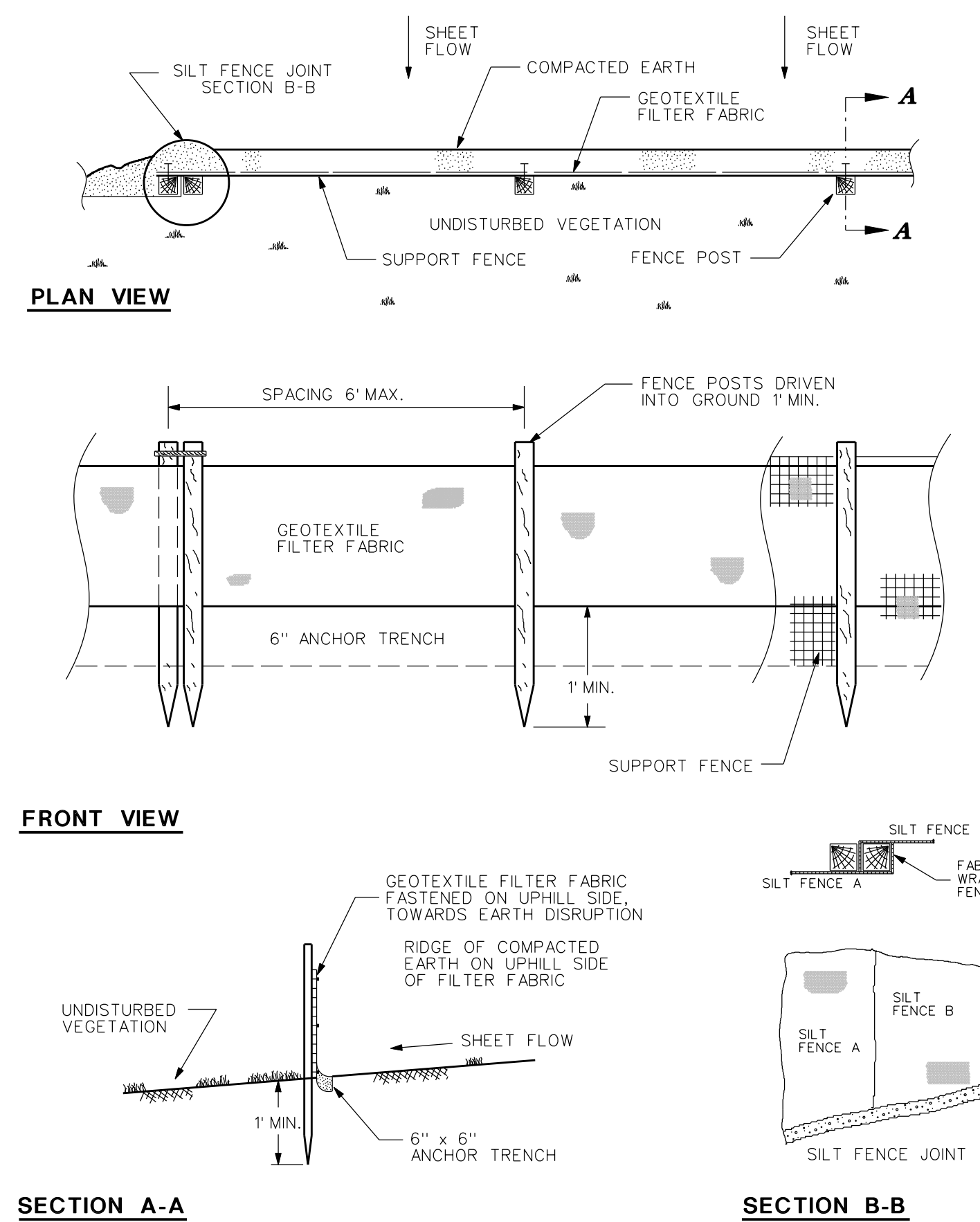
CASE 6

**CURB AND GUTTER INLET FILTER
(BEFORE PAVING)**



SCALE: N.T.S.

SILT FENCE



SCALE: N.T.S.

SOIL EROSION AND SEDIMENTATION CONTROL PLAN NOTES

- A. ALL EROSION AND SEDIMENT CONTROL WORK SHALL CONFORM TO STANDARDS AND SPECIFICATIONS OF THE COUNTY OF MACOMB.
- B. THE CONTRACTOR SHALL PERFORM PERIODIC MAINTENANCE OF SEDIMENTATION FILTERS AS MAY BE REQUIRED TO MAINTAIN THEIR EFFECTIVENESS.
- C. EROSION AND ANY SEDIMENTATION FROM THE WORK AREA SHALL BE CONTAINED IN THE WORK AREA AND NOT ALLOWED TO COLLECT ON ANY OFF-SITE AREAS OR IN THE WATERWAYS. WATERWAYS INCLUDE BOTH NATURAL AND MAN-MADE OPEN DITCHES, STREAMS, STORM DRAINS, LAKES AND PONDS.
- D. EROSION AND SEDIMENT CONTROL MEASURES ARE TO BE PLACED PRIOR TO, OR AS THE FIRST STEP IN CONSTRUCTION. SEDIMENT CONTROL PRACTICES WILL BE APPLIED AS A PERIMETER DEFENSE AGAINST ANY TRANSPORTING OF SILT OFF THE WORK AREA.
- E. CONTRACTOR SHALL APPLY TEMPORARY EROSION AND SEDIMENTATION CONTROL MEASURES AS REQUIRED AND AS DIRECTED ON THESE PLANS. EROSION CONTROL MEASURES MUST BE MAINTAINED AND REMAIN IN PLACE UNTIL PERMANENT STABILIZATION OF SLOPES, DITCHES, AND OTHER EARTH CHANGES HAS BEEN ACCOMPLISHED.
- F. SURFACE DISRUPTION IN ADVANCE OF CONSTRUCTION OF PAVING AND STORM SEWER (CLEARING, GRADING OR SIGNIFICANT SOIL REMOVAL), SHALL BE LIMITED AS FOLLOWS:
 - (1) MARCH, APRIL & MAY - FIVE (5) DAYS PIPE INSTALLATION.
 - (2) JUNE, JULY, AUGUST, SEPTEMBER, OCTOBER & NOVEMBER - TEN (10) DAYS PIPE INSTALLATION.
 - (3) DECEMBER, JANUARY & FEBRUARY - FIFTEEN (15) DAYS PIPE INSTALLATION.
 COMPLETION OF BACKFILL AND REMOVAL OF EXCESS MATERIAL SHALL FOLLOW PIPE LAYING BY NO MORE THAN ONE HUNDRED (100) FEET.
- G. GENERALLY, PERMANENT SOIL EROSION CONTROL MEASURES FOR ALL SLOPES, CHANNELS, DITCHES OR ANY DISTURBED LAND AREA SHALL BE COMPLETED WITHIN FIVE (5) CALENDAR DAYS AFTER FINAL GRADING. FINAL GRADING SHALL BE COMPLETED WITHIN FIFTEEN (15) CALENDAR DAYS AFTER PAVING IS COMPLETED.
- H. ALL MID-DIRT TRACKED DIRT, EXISTING CITY/COUNTY ROADS FROM THIS SITE, DUE TO CONSTRUCTION SHALL BE PROMPTLY REMOVED BY THE CONTRACTOR/BUILDER.
- I. DURING CONSTRUCTION OF THE STORM SEWER SYSTEM, THE ENDS OF ALL OPEN PIPES MUST BE PROTECTED BY STONE FILTERS OR OTHER APPROVED MEANS.
- J. ALL CONTRACTORS ARE TO PROVIDE A SUITABLE MEANS OF DUST CONTROL DURING THEIR RESPECTIVE OPERATIONS.
- K. THE UNDERGROUND CONTRACTOR MUST CONSTRUCT SILT TRAPS AROUND ALL STRUCTURES WHICH ARE NEEDED FOR DRAINAGE DURING THE TIME PERIOD BETWEEN STORM SEWER INSTALLATION AND EXCAVATION. ALL OTHER STRUCTURES SHALL BE STEEL PLATED. SILT TRAPS TO BE USED ARE THOSE WHICH ARE INDICATED ON THE DETAIL SHEET.
- L. STEEL PLATES MUST BE PLACED OVER ALL EXPOSED STRUCTURES PRIOR TO EXCAVATION TO PREVENT EXCESS EARTH MATERIAL FROM BEING DEPOSITED INTO THE DRAINAGE SYSTEM.
- M. AFTER FINAL SOIL STABILIZATION ALL STRUCTURES IN THE WORK AREA MUST BE CLEANED AS CALLED OUT IN THE SPECIFICATIONS AND AS A MEASURE OF SOIL EROSION CONTROL.
- N. AS A PERMANENT METHOD OF PREVENTING SOIL EROSION THE BACK OF CURB AREA WILL BE SOILED, SEED OR PAVED AS CALLED OUT IN THE SPECIFICATION.
- O. ALL CATCH BASINS OR INLETS SHALL BE CLEANED AT THE END OF CONSTRUCTION AND DURING CONSTRUCTION IF DEEMED NECESSARY BY THE PROJECT ENGINEER OR THE SOIL EROSION CONTROL AGENT.

**DIVISION OF ENGINEERING
CITY OF WARREN, MICHIGAN**

SOIL EROSION AND SEDIMENTATION CONTROL DETAILS

DSE-1

REVISED: R.M.A. 5/07